

Style in your hands

2012/13



**HERITAGE**  
CABINET HANDLES



Heritage Hardware is a family business established in 1986. Today, we are one of New Zealand's leading suppliers of cabinet handles.

At Heritage Hardware we focus on quality products and unsurpassed customer service.

Our knowledge, experience and expansive product range ensures you have everything you need to get the job done right, first time.

The collections include many new and innovative designs as well as the timeless favourites we have supplied for more than two decades.

Enjoy.

# CABINET HANDLES



D HANDLES - page 2



BOW HANDLES - page 15



PULL HANDLES - page 21



RECESSED HANDLES - page 28



CONTINUOUS HANDLES - page 30



POWER COATED HANDLES - page 36



TRADITIONAL HANDLES - page 44



KNOBS - page 44



RING HANDLES - page 48



PLATE HANDLES - page 49



DROP HANDLES - page 50



CHEST HANDLES - page 51



BAIL HANDLES - page 52

# D HANDLES

*Style in Your Hands*

## KARAKA



HOLE CENTRE	OVERALL	CODE
96mm	104mm	1550 BN
128mm	136mm	1551 BN
160mm	168mm	1552 BN
192mm	200mm	1553 BN
288mm	296mm	1554 BN
352mm	360mm	1555 BN
480mm	488mm	1556 BN
	FINISH	Brushed Nickel
	MATERIAL	Stainless Steel

## PANAMA



Brushed Nickel



Polished Chrome

HOLE CENTRE	OVERALL	CODE	CODE
96mm	104mm	6280 BN	6275 PC
128mm	136mm	6281 BN	6276 PC
160mm	168mm	6282 BN	6277 PC
224mm	232mm	6283 BN	6278 PC
320mm	328mm	6284 BN	6279 PC
	FINISH	Brushed Nickel	Polished Chrome
	MATERIAL	Aluminium	Aluminium

# D HANDLES

*Style in Your Hands*

## DELWOOD



HOLE CENTRE	OVERALL	CODE	CODE
96mm	106mm	2165 BN	2155 SC
128mm	138mm	2166 BN	2156 SC
160mm	170mm	2167 BN	2157 SC
192mm	202mm	2168 BN	-
288mm	298mm	2169 BN	-
352mm	362mm	2170 BN	-
448mm	458mm	2171 BN	-
	FINISH	Brushed Nickel	Satin Chrome
	MATERIAL	Stainless Steel	Zinc Alloy

## HOLLAND



HOLE CENTRE	OVERALL	CODE
96mm	136mm	4146 BN
128mm	168mm	4147 BN
160mm	200mm	4148 BN
192mm	232mm	4149 BN
288mm	328mm	4150 BN
352mm	392mm	4151 BN
480mm	520mm	4152 BN
	FINISH	Brushed Nickel
	MATERIAL	Stainless Steel

## STANSTEAD



HOLE CENTRE	OVERALL	CODE
128mm	192mm	6305 BA
192mm	256mm	6306 BA
320mm	384mm	6307 BA
480mm	544mm	6308 BA
	FINISH	Brushed Aluminium
	MATERIAL	Aluminium

# D HANDLES

*Style in Your Hands*

## GUDGEON



Brushed Nickel



Polished Chrome

HOLE CENTRE	OVERALL	CODE	CODE
96mm	127mm	6230 BN	6220 PC
128mm	159mm	6231 BN	6221 PC
160mm	191mm	6232 BN	6222 PC
192mm	223mm	6238 BN	-
256mm	287mm	6233 BN	6223 PC
320mm	351mm	6234 BN	6224 PC
416mm	447mm	6235 BN	6225 PC
544mm	575mm	6236 BN	6226 PC
608mm	639mm	6237 BN	6227 PC
736mm	767mm	6218 BN	-
960mm	991mm	6217 BN	-
1184mm	1215mm	6216 BN	-
	FINISH	Brushed Nickel	Polished Chrome
	MATERIAL	Zinc Alloy	Zinc Alloy

## SINCLAIR



HOLE CENTRE	OVERALL	CODE
128mm	140mm	6286 BN
160mm	172mm	6287 BN
256mm	268mm	6288 BN
320mm	342mm	6289 BN
	FINISH	Brushed Nickel
	MATERIAL	Zinc Alloy

# D HANDLES

*Style in Your Hands*

## PORTAGE



HOLE CENTRE	OVERALL	BASE	CODE
128mm	152mm	34mm	1165 AL
160mm	184mm	47mm	1166 AL
224mm	248mm	69mm	1167 AL
352mm	376mm	69mm	1168 AL
480mm	504mm	69mm	1169 AL
		FINISH	Anodised
		MATERIAL	Aluminium

## LECTRO



HOLE CENTRE	OVERALL	CODE
128mm	146mm	6160 BA
160mm	178mm	6161 BA
256mm	274mm	6162 BA
288mm	306mm	6167 BA
320mm	338mm	6163 BA
416mm	434mm	6164 BA
448mm	466mm	6168 BA
544mm	562mm	6165 BA
608mm	626mm	6166 BA
FINISH	Brushed Aluminium	
MATERIAL	Aluminium	



LECTRO

# D HANDLES

*Style in Your Hands*

## DUNSTALL



Satin Chrome



Polished Chrome



Brushed Nickel

HOLE CENTRE	OVERALL	BASE	CODE	CODE	CODE
64mm	87mm	-	3444 SC	-	-
96mm	121mm	21mm	3445 SC	3435 PC	3471 BN
128mm	157mm	23mm	3446 SC	-	3472 BN
160mm	193mm	24mm	3163 SC	3437 PC	3473 BN
192mm	224mm	24mm	3443 SC	3438 PC	3474 BN
240mm	274mm	24mm	3164 SC	3439 PC	3475 BN
320mm	354mm	25mm	-	-	3476 BN
		FINISH	Satin Chrome	Polished Chrome	Brushed Nickel
		MATERIAL	Zinc Alloy	Zinc Alloy	Zinc Alloy

## WHITFORD



See page 44



HOLE CENTRE	OVERALL	CODE
160mm	175mm	6250 BB
	FINISH	Burnished Pewter
	MATERIAL	Zinc Alloy

# D HANDLES

*Style in Your Hands*

## EVANDA



Brushed Nickel



Satin Chrome

HOLE CENTRE	OVERALL	BASE	CODE	CODE
64mm	72mm	9mm	-	3463 BN
96mm	104mm	10mm	3454 SC	3464 BN
128mm	136mm	10mm	3455 SC	3465 BN
160mm	168mm	11mm	3456 SC	3466 BN
256mm	264mm	11mm	3457 SC	3467 BN
320mm	328mm	11mm	3458 SC	3468 BN
		FINISH	Satin Chrome	Brushed Nickel
		MATERIAL	Aluminium	Aluminium

## MARCELLA



HOLE CENTRE	OVERALL	BASE	CODE
128mm	142mm	14mm	3513 BN
160mm	174mm	14mm	3514 BN
256mm	270mm	15mm	3515 BN
320mm	334mm	16mm	3516 BN
		FINISH	Brushed Nickel
		MATERIAL	Aluminium

# D HANDLES

*Style in Your Hands*

## PESCARA



Brushed Nickel



Black Chrome

HOLE CENTRE	OVERALL	CODE	CODE
96mm	115mm	1021 BN	1025 BL
128mm	147mm	1022 BN	1026 BL
160mm	179mm	1023 BN	1027 BL
256mm	275mm	1024 BN	1028 BL
	FINISH	Brushed Nickel	Black Chrome
	MATERIAL	Zinc Alloy	Zinc Alloy

## MANOR



HOLE CENTRE	OVERALL	CODE
128mm	140mm	1188 AL
192mm	204mm	1190 AL
288mm	300mm	1191 AL
480mm	492mm	1193 AL
	FINISH	Satin Chrome
	MATERIAL	Aluminium

# D HANDLES

*Style in Your Hands*

## GLENDA



Brushed Nickel



Polished Chrome

HOLE CENTRE	OVERALL	CODE	CODE
128mm	137mm	6270 BN	6266 PC
160mm	169mm	6271 BN	6267 PC
256mm	265mm	6272 BN	6268 PC
320mm	329mm	6273 BN	6269 PC
	FINISH	Brushed Nickel	Polished Chrome
	MATERIAL	Zinc Alloy	Zinc Alloy



GLENDA

# D HANDLES

*Style in Your Hands*

## GADSBY



Brushed Nickel



Satin Chrome

HOLE CENTRE	OVERALL	BASE	CODE	CODE
128mm	158mm	28mm	1183 BN	1184 SC
160mm	190mm	30mm	1206 BN	1207 SC
		FINISH	Brushed Nickel	Satin Chrome
		MATERIAL	Zinc Alloy	Zinc Alloy

## KENNEDY

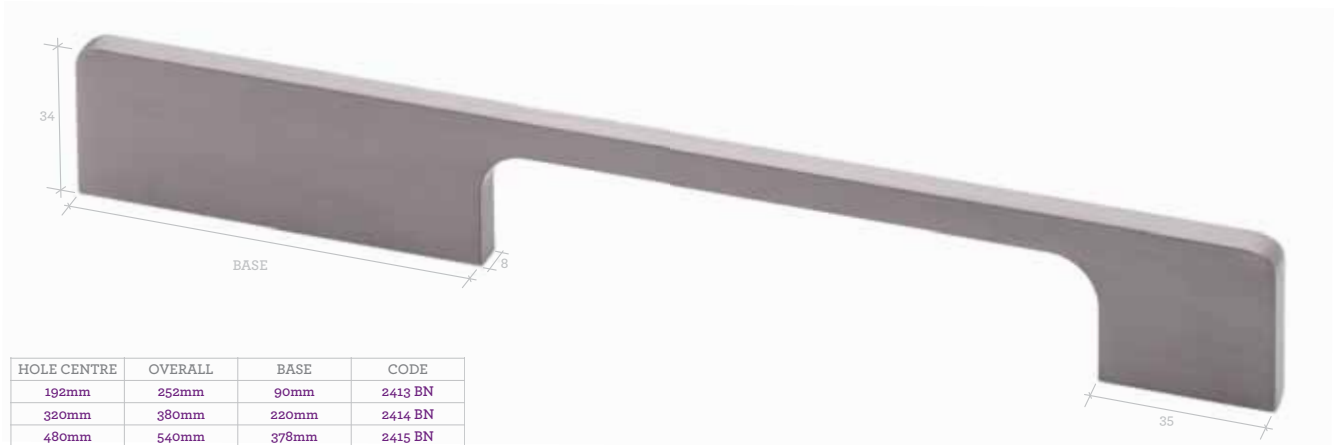


HOLE CENTRE	OVERALL	CODE
128mm	140mm	3090 BN
160mm	172mm	3091 BN
224mm	236mm	3093 BN
	FINISH	Brushed Nickel
	MATERIAL	Aluminium

# D HANDLES

*Style in Your Hands*

## RESCO



HOLE CENTRE	OVERALL	BASE	CODE
192mm	252mm	90mm	2413 BN
320mm	380mm	220mm	2414 BN
480mm	540mm	378mm	2415 BN
		FINISH	Brushed Nickel
		MATERIAL	Aluminium

## RIVA



HOLE CENTRE	OVERALL	BASE	CODE
192mm	252mm	62mm	2410 BN
320mm	380mm	126mm	2411 BN
480mm	540mm	206mm	2412 BN
		FINISH	Brushed Nickel
		MATERIAL	Aluminium



RESCO

# D HANDLES

*Style in Your Hands*



TORINO

# D HANDLES

*Style in Your Hands*

## TORINO



HOLE CENTRE	OVERALL	CODE
160mm	170mm	2950 GL
FINISH	Glass/Polished Chrome	
MATERIAL	Glass/Zinc Alloy	

## QUEBEC



HOLE CENTRE	OVERALL	HEIGHT	WIDTH	BASE	CODE
128mm	159mm	24mm	20mm	21mm	3447 SC
160mm	191mm	25mm	22mm	22mm	3448 SC
192mm	227mm	26mm	25mm	24mm	3450 SC
				FINISH	Satin Chrome
				MATERIAL	Zinc Alloy

## MUNICH



HOLE CENTRE	OVERALL	BASE	CODE
128mm	142mm	14mm	3570 BN
160mm	174mm	14mm	3571 BN
256mm	270mm	15mm	3572 BN
320mm	334mm	16mm	3573 BN
		FINISH	Brushed Nickel
		MATERIAL	Zinc Alloy

# D HANDLES

*Style in Your Hands*

## TORY



Brushed Nickel



Black Chrome

HOLE CENTRE	OVERALL	BASE	CODE	CODE
128mm	207mm	40mm	1052 BN	1056 BL
160mm	239mm	43mm	1053 BN	1057 BL
256mm	335mm	49mm	1054 BN	1058 BL
320mm	399mm	58mm	1055 BN	1059 BL
		FINISH	Brushed Nickel	Black Chrome
		MATERIAL	Zinc Alloy	Zinc Alloy



## TORY

# BOW HANDLES

*Style in Your Hands*

## SAXON



HOLE CENTRE	OVERALL	CODE
64mm	85mm	1164 SN
	FINISH	Satin Nickel
	MATERIAL	Zinc Alloy

## FATHOM



HOLE CENTRE	OVERALL	CODE
96mm	115mm	3050 SC
128mm	148mm	3051 SC
	FINISH	Satin Chrome
	MATERIAL	Zinc Alloy

## ANSON



HOLE CENTRE	OVERALL	CODE
128mm	150mm	3135 BN
	FINISH	Brushed Nickel
	MATERIAL	Zinc Alloy

# BOW HANDLES

*Style in Your Hands*

## SLIMBOW



Polished Chrome



Satin Chrome

HOLE CENTRE	OVERALL	CODE	CODE
96mm	110mm	3028 PC	3048 SC
128mm	150mm	3029 PC	3049 SC
	FINISH	Polished Chrome	Satin Chrome
	MATERIAL	Zinc Alloy	Zinc Alloy

## SLIMBOW



HOLE CENTRE	OVERALL	CODE
224mm	297mm	3055 SC
	FINISH	Satin Chrome
	MATERIAL	Zinc Alloy

# BOW HANDLES

*Style in Your Hands*

## VISTA



HOLE CENTRE	OVERALL	CODE
96mm	118mm	3132 SC
	FINISH	Satin Chrome
	MATERIAL	Zinc Alloy

## KINSDALE



HOLE CENTRE	OVERALL	BASE	CODE	CODE
96mm	140mm	29mm	3075 SC	-
128mm	183mm	31mm	3076 SC	3082 BN
		FINISH	Satin Chrome	Brushed Nickel
		MATERIAL	Zinc Alloy	Zinc Alloy

## COBHAM



HOLE CENTRE	OVERALL	CODE
128mm	143mm	3876 SC
	FINISH	Satin Chrome
	MATERIAL	Zinc Alloy

# BOW HANDLES

*Style in Your Hands*

## COPSEY



HOLE CENTRE	OVERALL	CODE
224mm	244mm	3165 SC
	FINISH	Satin Chrome
	MATERIAL	Zinc Alloy

## TWIST



HOLE CENTRE	OVERALL	CODE
128mm	160mm	3190 SC
	FINISH	Satin Chrome
	MATERIAL	Zinc Alloy

## ADDISON



HOLE CENTRE	OVERALL	CODE
96mm	140mm	3841 SC
	FINISH	Satin Chrome
	MATERIAL	Zinc Alloy

# BOW HANDLES

*Style in Your Hands*

## LOCARNO



HOLE CENTRE	OVERALL	CODE
160mm	223mm	3844 SC
	FINISH	Satin Chrome
	MATERIAL	Zinc Alloy

## FRANKLIN



HOLE CENTRE	OVERALL	CODE
96mm	117mm	1907 PW
	FINISH	Pewter
	MATERIAL	Zinc Alloy

## OREGON



Antique Brass

Pewter

HOLE CENTRE	OVERALL	CODE	CODE
96mm	110mm	5702 AB	5703 PW
	FINISH	Antique Brass	Pewter
	MATERIAL	Zinc Alloy	Zinc Alloy

# PULL HANDLES

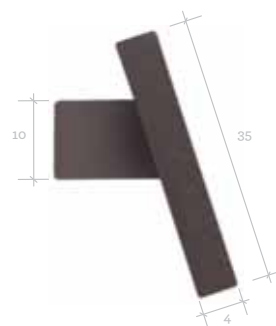
*Style in Your Hands*

## ANCONA



Brushed Nickel

Black Chrome



HOLE CENTRE	OVERALL	CODE	CODE
64mm	104mm	1060 BN	1062 BL
160mm	200mm	1061 BN	1063 BL
256mm	296mm	1640 BN	1645 BL
320mm	360mm	1641 BN	1646 BL
416mm	456mm	1642 BN	1647 BL
544mm	584mm	1643 BN	1648 BL
608mm	648mm	1644 BN	1649 BL
	FINISH	Brushed Nickel	Black Chrome
	MATERIAL	Zinc Alloy	Zinc Alloy



ANCONA

# PULL HANDLES

*Style in Your Hands*



DELAMORE

# PULL HANDLES

*Style in Your Hands*

## DELAMORE



Polished Chrome



Satin Chrome



Antique Brass



Black



Pewter

HOLE CENTRE	OVERALL	CODE	FINISH
64mm	80mm	1920 PC	Polished Chrome
64mm	80mm	1921 SC	Satin Chrome
64mm	80mm	1922 AB	Antique Brass
64mm	80mm	1923 BL	Black
64mm	80mm	1925 PW	Pewter
		MATERIAL	Zinc Alloy

## ARNWICK



Burnished Iron



Satin Chrome



Polished Brass



Black

OVERALL	CODE	FINISH	MATERIAL
85mm	5601 BI	Burnished Iron	Brass
85mm	5601 SC	Satin Chrome	Brass
85mm	5606 PB	Polished Brass	Brass
90mm	5602 BL	Black	Steel

# PULL HANDLES

*Style in Your Hands*

## BELMONT



HOLE CENTRE	OVERALL	CODE	FINISH
64mm	105mm	3188 BL	Black
64mm	105mm	3189 SN	Satin Nickel
		MATERIAL	Zinc Alloy

## LILBURN



## JELICOE



OVERALL	CODE
95mm	5604 AB
FINISH	Antique Brass
MATERIAL	Brass

OVERALL	CODE
95mm	5605 AB
FINISH	Antique Brass
MATERIAL	Brass

## AMBERLY



OVERALL	CODE	FINISH	MATERIAL
95mm	5600 BI	Burnished Iron	Brass
90mm	5610 BL	Black	Steel

# PULL HANDLES

*Style in Your Hands*

## AVONBROOK



OVERALL	CODE
92mm	4160 AB
FINISH	Antique Brass
MATERIAL	Brass

## DRURY



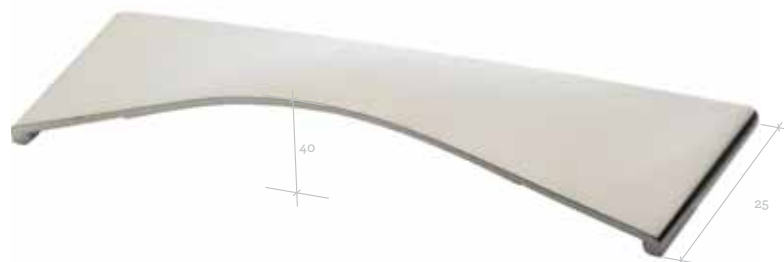
HOLE CENTRE	OVERALL	CODE
32mm	45mm	1181 AL
	FINISH	Satin Chrome
	MATERIAL	Aluminium

## JUTLAND



HOLE CENTRE	OVERALL	CODE
96mm	120mm	1198 SC
	FINISH	Satin Chrome
	MATERIAL	Aluminium

## SPENCER



HOLE CENTRE	OVERALL	CODE
96mm	160mm	6316 BN
160mm	224mm	6318 BN
	FINISH	Brushed Nickel
	MATERIAL	Zinc Alloy

# PULL HANDLES

*Style in Your Hands*

## BELGRAVE



HOLE CENTRE	OVERALL	CODE
32mm	90mm	3072 SC
96mm	170mm	3150 SC
	FINISH	Satin Chrome
	MATERIAL	Zinc Alloy

## BURNETT



OVERALL	CODE	CODE
52mm	6149 SN	6150 BN
FINISH	Satin Nickel	Brushed Nickel
MATERIAL	Zinc Alloy	Zinc Alloy

## HELVETIA



HOLE CENTRE	OVERALL	CODE
32mm	47mm	1854 SC
	FINISH	Satin Chrome
	MATERIAL	Zinc Alloy

# PULL HANDLES

*Style in Your Hands*

## THORNTON



OVERALL	CODE
82mm	6261 BB
FINISH	Burnished Pewter
MATERIAL	Zinc Alloy

## JAEMONT



OVERALL	CODE
80mm	6262 BB
FINISH	Burnished Pewter
MATERIAL	Zinc Alloy

## BARDIA



OVERALL	CODE
60mm	6260 BB
FINISH	Burnished Pewter
MATERIAL	Zinc Alloy

## DRUMMOND



OVERALL	CODE
60mm	6263 BB
FINISH	Burnished Pewter
MATERIAL	Zinc Alloy

## WALDEN



HOLE CENTRE	OVERALL	CODE
96mm	142mm	6265 BB
160mm	205mm	6264 BB
	FINISH	Burnished Pewter
	MATERIAL	Zinc Alloy

# PULL HANDLES

*Style in Your Hands*

## TIRANE

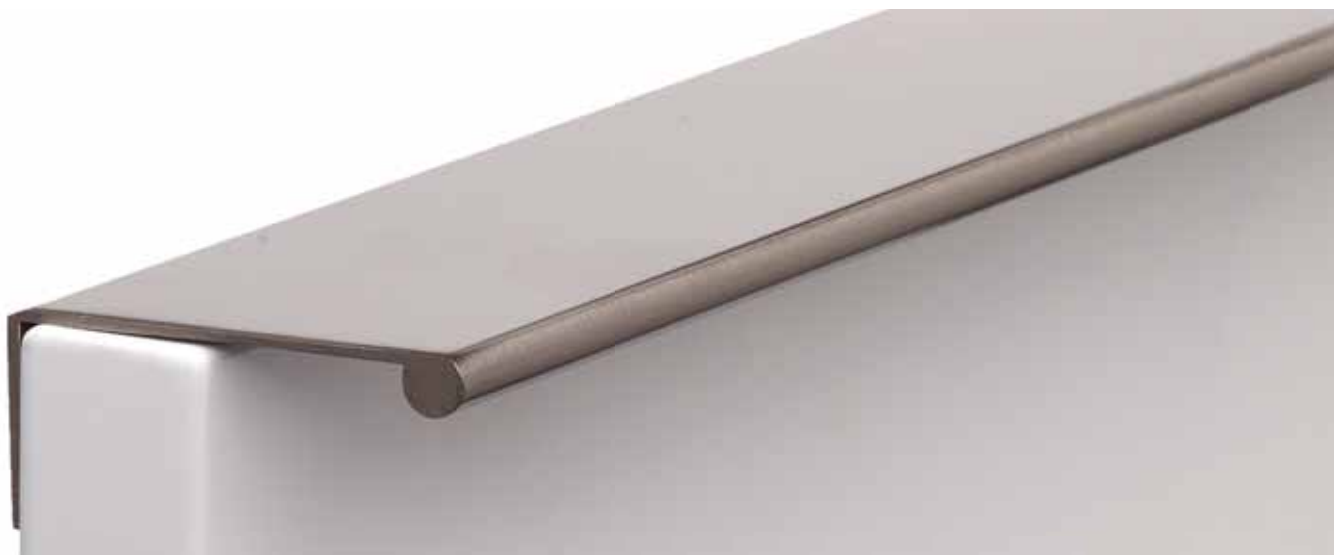


Brushed Nickel



Black Chrome

HOLE CENTRE	OVERALL	CODE	CODE
32mm	46mm	1084 BN	1070 BL
64mm	78mm	1085 BN	1071 BL
96mm	110mm	1086 BN	1072 BL
128mm	142mm	1087 BN	1073 BL
160mm	174mm	1088 BN	1074 BL
256mm	270mm	1089 BN	1075 BL
320mm	334mm	1090 BN	1076 BL
416mm	430mm	1091 BN	1077 BL
544mm	558mm	1092 BN	1078 BL
608mm	622mm	1093 BN	1079 BL
	FINISH	Brushed Nickel	Black Chrome
	MATERIAL	Aluminium	Aluminium



## TIRANE

# RECESSED HANDLES

*Style in Your Hands*

## ORSHA



HOLE CENTRE	OVERALL	CODE
96mm	128mm	4639 SC
	FINISH	Satin Chrome
	MATERIAL	Zinc Alloy

## LUCCA



OVERALL	CODE
46mm	4638 SC
FINISH	Satin Chrome
MATERIAL	Zinc Alloy

## WANSTEAD



HOLE CENTRE	OVERALL	CODE
128mm	137mm	1080 SC
	FINISH	Satin Chrome
	MATERIAL	Zinc Alloy

## SENTO



HOLE CENTRE	OVERALL	CODE
160mm	170mm	1081 SC
	FINISH	Satin Chrome
	MATERIAL	Zinc Alloy

# RECESSED HANDLES

*Style in Your Hands*

## MONDAVIO



HOLE CENTRE	OVERALL	CODE
96mm	122mm	6248 BB
	FINISH	Burnished Pewter
	MATERIAL	Zinc Alloy

## AREZZO



HOLE CENTRE	OVERALL	CODE
96mm	122mm	1083 BN
	FINISH	Brushed Nickel
	MATERIAL	Zinc Alloy

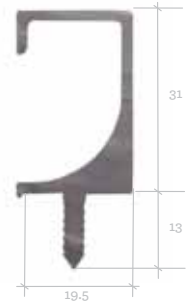


## AREZZO

# CONTINUOUS HANDLES

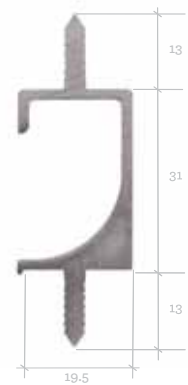
*Style in Your Hands*

## VENICE



LENGTH	CODE
2500mm	1173 AL
FINISH	Anodised
MATERIAL	Aluminium

## TREVISO



LENGTH	CODE
2500mm	1174 AL
FINISH	Anodised
MATERIAL	Aluminium



TREVISO

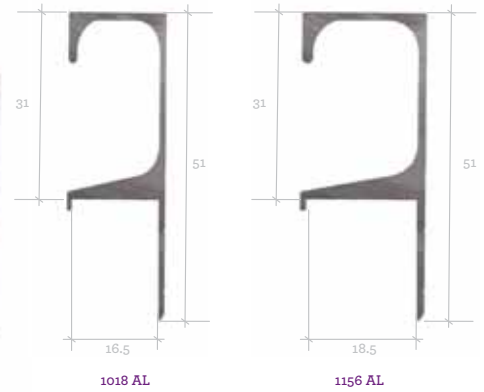


TREVISO

# CONTINUOUS HANDLES

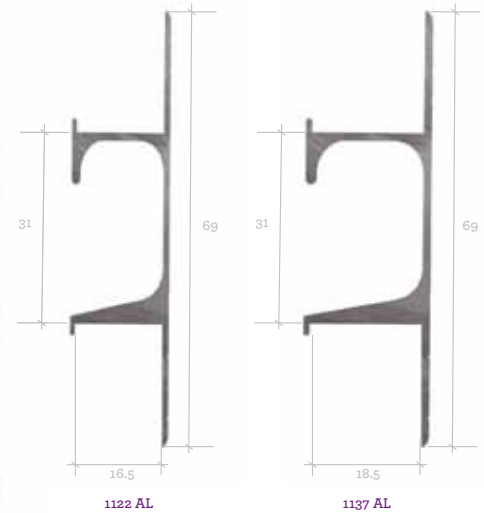
*Style in Your Hands*

## EZI-VENICE



LENGTH	WIDTH	CODE
2500mm	16.5mm	1018 AL
2500mm	18.5mm	1156 AL
	FINISH	Anodised
	MATERIAL	Aluminium

## EZI-TREVISO



LENGTH	WIDTH	CODE
2500mm	16.5mm	1122 AL
2500mm	18.5mm	1137 AL
	FINISH	Anodised
	MATERIAL	Aluminium



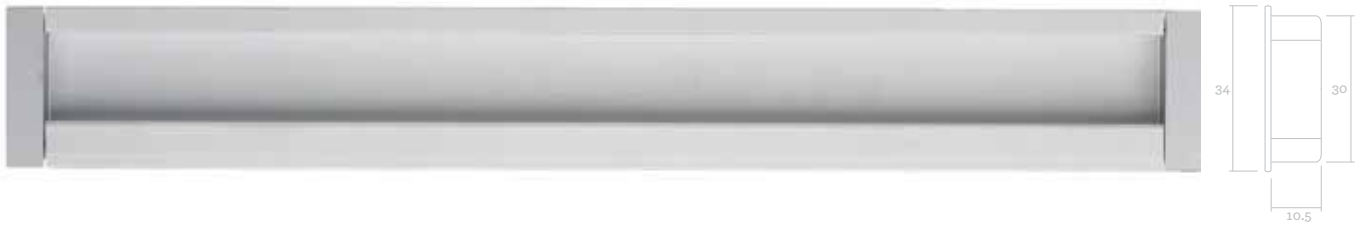
EZI-VENICE

EZI-TREVISO

# CONTINUOUS HANDLES

*Style in Your Hands*

## DUBLIN



LENGTH	WIDTH	CODE
2500mm	10.5mm	1170 AL
	FINISH	Anodised
	MATERIAL	Aluminium
DUBLIN-End Caps & Brackets (pair)		1171 AL

## LOREO



LENGTH	CODE
3000mm	1155 AL
FINISH	Anodised
MATERIAL	Aluminium

## LANGTON



LENGTH	CODE
3600mm	1179 AL
FINISH	Anodised
MATERIAL	Aluminium

# CONTINUOUS HANDLES

*Style in Your Hands*

## CATANIA



LENGTH	WIDTH	CODE
2500mm	21mm	1161 AL
	FINISH	Anodised
	MATERIAL	Aluminium
CATANIA-End Caps & Brackets (pair)		1162 AL

## PALERMO



LENGTH	WIDTH	CODE
2500mm	21mm	1185 AL
	FINISH	Anodised
	MATERIAL	Aluminium
CATANIA-End Caps & Brackets (pair)		1186 AL



## PALERMO

# CONTINUOUS HANDLES

*Style in Your Hands*

## BROVILLE

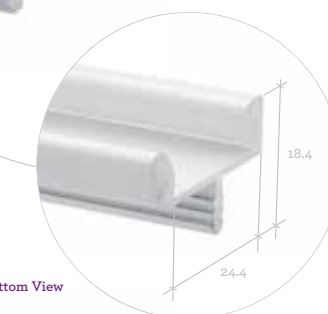


LENGTH	CODE
3600mm	1178 AL
FINISH	Anodised
MATERIAL	Aluminium

## TITAN



Top View



Bottom View

LENGTH	CODE
3600mm	1175 AL
FINISH	Anodised
MATERIAL	Aluminium

## LAXON



48.9

10

24.4

LENGTH	CODE
3600mm	1176 AL
FINISH	Anodised
MATERIAL	Aluminium

# CONTINUOUS HANDLES

*Style in Your Hands*

## VERCELLI CENTRE PROFILE



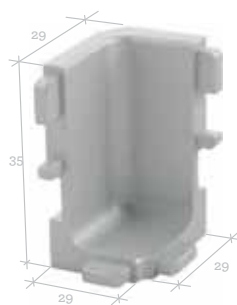
OVERALL	CODE
600mm	1282 BN
3600mm	1278 BN
FINISH	Brushed Nickel
MATERIAL	Aluminium

## VERCELLI TOP PROFILE



OVERALL	CODE
600mm	1281 BN
3600mm	1275 BN
FINISH	Brushed Nickel
MATERIAL	Aluminium

## INTERNAL CORNER



OVERALL	CODE
35mm	1276 BN
FINISH	Brushed Nickel
MATERIAL	Aluminium

## EXTERNAL CORNER



OVERALL	CODE
33mm	1277 BN
FINISH	Brushed Nickel
MATERIAL	Aluminium

## FIXING BRACKET



OVERALL	CODE
28mm	1280 ZP
FINISH	Zinc Plated
MATERIAL	Aluminium

# POWER COATED HANDLES

*Style in Your Hands*



*Choose from any Dulux or Interpon power coat range.*

NAME	LENGTH	CODE	FINISH P/COAT
Venice	2500mm	1142 CO	Custom Colour
Treviso	2500mm	1143 CO	Custom Colour
Ezi-Venice	2500mm	1145 CO	Custom Colour
Ezi-Treviso	2500mm	1135 CO	Custom Colour
Catania	2500mm	1163 CO	Custom Colour
Palermo	2500mm	1187 CO	Custom Colour
Langton	3600mm	1149 CO	Custom Colour
Broville	3600mm	1473 CO	Custom Colour
Dublin	2500mm	1107 CO	Custom Colour
		MATERIAL	Aluminium

- 3 Easy Steps:
- 1 - Choose your handle and colour.
  - 2 - We cut to your specified length.
  - 3 - Your handles are delivered within 10 working days



VENICE

# TRADITIONAL HANDLES

*Style in Your Hands*

## BURLINGTON



Burnished Iron



Black

HOLE CENTRE	OVERALL	CODE	CODE
128mm	142mm	4005 BI	4008 BL
200mm	215mm	4006 BI	4009 BL
	FINISH	Burnished Iron	Black
	MATERIAL	Steel	Steel



## BURLINGTON

# TRADITIONAL HANDLES

*Style in Your Hands*

## ASHBURN



Burnished Iron



Black

OVERALL	CODE	CODE
35mm	4240 BI	4241 BL
FINISH	Burnished Iron	Black
MATERIAL	Steel	Steel

## VICTORIA



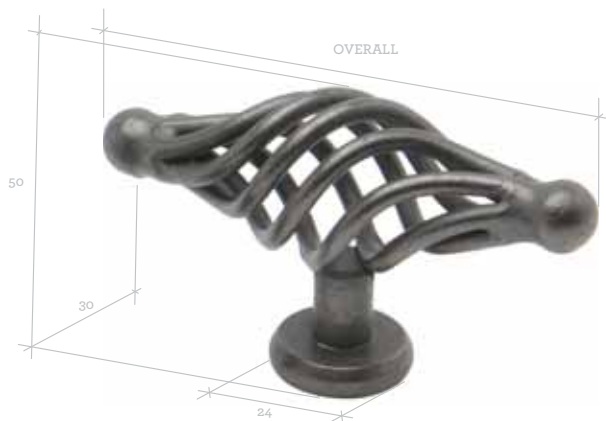
Burnished Iron



Black

OVERALL	CODE	CODE
50mm	4225 BI	4226 BL
FINISH	Burnished Iron	Black
MATERIAL	Steel	Steel

## VICTORIA



Burnished Iron



Black

OVERALL	CODE	CODE
90mm	4230 BI	4231 BL
FINISH	Burnished Iron	Black
MATERIAL	Steel	Steel

# TRADITIONAL HANDLES

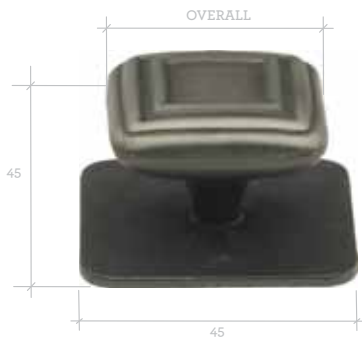
*Style in Your Hands*

## MANDER



HOLE CENTRE	OVERALL	CODE
160mm	183mm	4023 BB
256mm	275mm	4023 BB
	FINISH	Burnished Pewter
	MATERIAL	Zinc Alloy

## GROVE



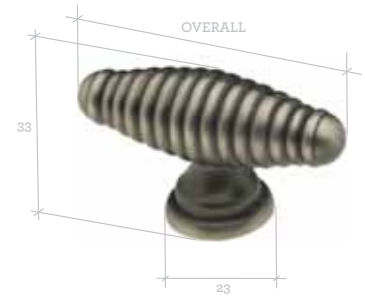
OVERALL	CODE
45mm	4041 BB
FINISH	Burnished Pewter
MATERIAL	Zinc Alloy

## IRIS



OVERALL	CODE
32mm	4021 BB
FINISH	Burnished Pewter
MATERIAL	Zinc Alloy

## LAMBERG



OVERALL	CODE
60mm	4020 BB
FINISH	Burnished Pewter
MATERIAL	Zinc Alloy

## CHALE



HOLE CENTRE	OVERALL	CODE
108mm	123mm	4043 BB
	FINISH	Burnished Pewter
	MATERIAL	Zinc Alloy

## MILIAS



HOLE CENTRE	OVERALL	CODE
108mm	124mm	4042 BB
	FINISH	Burnished Pewter
	MATERIAL	Zinc Alloy

# TRADITIONAL HANDLES

*Style in Your Hands*



DAVITA

# TRADITIONAL HANDLES

*Style in Your Hands*

## DAVITA



HOLE CENTRE	OVERALL	CODE	CODE
128mm	150mm	4015 CR	4055 CR
	FINISH	Ceramic Craze	Ceramic White
	MATERIAL	Zinc Alloy/Ceramic	

## EMBLETON



OVERALL	CODE	CODE
75mm	4010 CR	4050 CR
FINISH	Ceramic Craze	Ceramic white
MATERIAL	Zinc Alloy/Ceramic	

# TRADITIONAL HANDLES

*Style in Your Hands*



DAVITA & FEARON

# TRADITIONAL HANDLES

*Style in Your Hands*

## ENSOR



HOLE CENTRE	OVERALL	CODE	CODE
160mm	188mm	4011 CR	4051 CR
224mm	248mm	4012 CR	4052 CR
	FINISH	Ceramic Craze	Ceramic White
	MATERIAL	Zinc Alloy/Ceramic	

## FEARON



OVERALL	HEIGHT	CODE	CODE
30mm	30mm	4014 CR	4054 CR
38mm	38mm	4013 CR	4053 CR
	FINISH	Ceramic Craze	Ceramic White
	MATERIAL	Zinc Alloy/Ceramic	

# KNOBS

*Style in Your Hands*

**ROMULUS**



OVERALL	CODE
33mm	3497 SC
FINISH	Satin Chrome
MATERIAL	Zinc Alloy

**RUTLAND**



OVERALL	CODE
28mm	6251 BB
FINISH	Burnished Pewter
MATERIAL	Zinc Alloy

**ALDOME**



OVERALL	CODE
23mm	8223 BN
FINISH	Brushed Nickel
MATERIAL	Zinc Alloy

**ROSSANO**



HEIGHT	OVERALL	CODE
23mm	18mm	8231 SC
30mm	25mm	8230 SC
	FINISH	Satin Chrome
	MATERIAL	Zinc Alloy

**ERBA**



OVERALL	CODE
30mm	3000 GL
FINISH	Glass/Polished Chrome
MATERIAL	Glass/Zinc Alloy

**DUNLOP**



OVERALL	CODE
30mm	3129 PC
FINISH	Polished Chrome
MATERIAL	Zinc Alloy



**ERBA**

# KNOBS

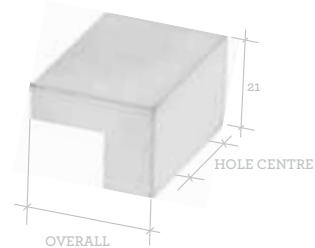
*Style in Your Hands*

## LISBON



OVERALL	CODE
45mm	3007 SC
FINISH	Satin Chrome
MATERIAL	Zinc Alloy

## ALTONA



HOLE CENTRE	OVERALL	CODE
16mm	24mm	3449 SC
	FINISH	Satin Chrome
	MATERIAL	Zinc Alloy

## MANLEY



OVERALL	CODE
40mm	3109 SC
FINISH	Satin Chrome
MATERIAL	Zinc Alloy

## ABBEY



OVERALL	CODE
37mm	3111 SN
FINISH	Satin Nickel
MATERIAL	Zinc Alloy

## GREVILLE



OVERALL	CODE
28mm	3110 SC
FINISH	Satin Chrome
MATERIAL	Zinc Alloy

## BASSETT



OVERALL	CODE
20mm	3320 SC
FINISH	Satin Chrome
MATERIAL	Zinc Alloy

## CHATHAM



HOLE CENTRE	OVERALL	CODE
32mm	54mm	3404 SC
	FINISH	Satin Chrome
	MATERIAL	Zinc Alloy

## BECROFT



OVERALL	CODE
30mm	3490 SC
FINISH	Satin Chrome
MATERIAL	Zinc Alloy

# KNOBS

*Style in Your Hands*

## AZARA



Antique Brass

HEIGHT	OVERALL	BASE	CODE	CODE
20mm	20mm	11mm	-	4325 AB
25mm	25mm	14mm	-	4326 AB
30mm	32mm	15mm	4322 BI	4327 AB
35mm	38mm	17mm	4323 BI	4328 AB
		FINISH	Burnished Iron	Antique Brass
		MATERIAL	Brass	Brass

## PORTABELLO



Satin Chrome



Antique Brass



Pewter



Polished Chrome

HEIGHT	OVERALL	CODE	CODE	CODE	CODE	
21mm	28mm	2532 SC	2531 AB	2533 PW	2527 PC	
26mm	32mm	2536 SC	2535 AB	2534 PW	2528 PC	
30mm	38mm	2540 SC	2539 AB	2538 PW	2529 PC	
		FINISH	Satin Chrome	Antique Brass	Pewter	Polished Chrome
		MATERIAL	Zinc Alloy	Zinc Alloy	Zinc Alloy	Zinc Alloy



PORTABELLO

# KNOBS

*Style in Your Hands*

## MONTRASE



HEIGHT	OVERALL	BASE	CODE	FINISH
25mm	33mm	18mm	2522 AB	Antique Brass
25mm	33mm	18mm	2523 BL	Black
25mm	33mm	18mm	2524 SC	Satin Chrome
25mm	33mm	18mm	2525 PW	Pewter
25mm	33mm	18mm	2526 PC	Polished Chrome
		MATERIAL	Zinc Alloy	

## GRENADA



HEIGHT	OVERALL	BASE	CODE
20mm	20mm	10mm	4341 AB
25mm	25mm	14mm	4342 AB
32mm	32mm	16mm	4343 AB
38mm	38mm	16mm	4344 AB
		FINISH	Antique Brass
		MATERIAL	Brass

## BOLLARD



HEIGHT	OVERALL	WIDTH	BASE	CODE
25mm	25mm	17mm	11mm	6243 BN
33mm	33mm	22mm	15mm	6242 BN
			FINISH	Brushed Nickel
			MATERIAL	Zinc Alloy

## DEVON



HEIGHT	OVERALL	BASE	CODE
20mm	20mm	21mm	6030 AB
23mm	25mm	25mm	6031 AB
25mm	32mm	33mm	6032 AB
30mm	38mm	37mm	6033 AB
		FINISH	Antique Brass
		MATERIAL	Brass

## REWA



HEIGHT	OVERALL	BASE	CODE
24mm	26mm	13mm	6020 BL
28mm	30mm	16mm	6021 BL
32mm	35mm	15mm	6022 BL
37mm	38mm	17mm	6023 BL
		FINISH	Black
		MATERIAL	Steel

# RING HANDLES

*Style in Your Hands*

**MUNROS**



OVERALL	CODE
38mm	4800 BL
FINISH	Black
MATERIAL	Zinc Alloy

**COWAN**



OVERALL	CODE
45mm	4802 BL
FINISH	Black
MATERIAL	Zinc Alloy

**MATHIS**



HEIGHT	OVERALL	CODE
44mm	38mm	4806 BL
56mm	50mm	4817 BL
	FINISH	Black
	MATERIAL	Steel

**CHESTER**



OVERALL	CODE
46mm	4835 AB
FINISH	Antique Brass
MATERIAL	Brass

**ESK**



OVERALL	CODE
47mm	4860 AB
FINISH	Antique Brass
MATERIAL	Brass

**COULSTON**



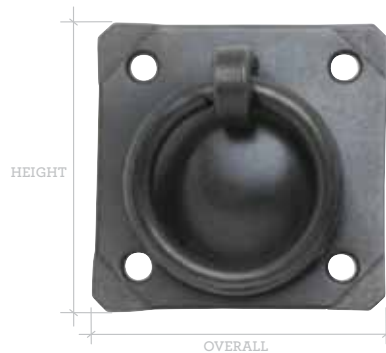
HEIGHT	OVERALL	CODE
48mm	36mm	4833 AB
65mm	51mm	4834 AB
	FINISH	Antique Brass
	MATERIAL	Brass

**ALBURY**



OVERALL	CODE
70mm	4825 BL
FINISH	Black
MATERIAL	Steel

**ALTHAM**



HEIGHT	OVERALL	CODE
50mm	40mm	4815 BL
60mm	60mm	4816 BL
	FINISH	Black
	MATERIAL	Steel

**CHARLTON**



OVERALL	CODE
65mm	4830 BL
FINISH	Black
MATERIAL	Steel

# PLATE HANDLES

*Style in Your Hands*

## VERMONT



HOLE CENTRE	CODE	CODE
76mm	2201 BL	2301 AB
FINISH	Black	Antique Brass
MATERIAL	Zinc Alloy	Zinc Alloy

## AKAROA



CODE	CODE
4813 BB	4814 BB
FINISH	Burnished Pewter
MATERIAL	Zinc Alloy

## TINLEY



HOLE CENTRE	CODE
48mm	1200 AB
FINISH	Antique Brass
MATERIAL	Brass

## CUTLER



HOLE CENTRE	CODE
58mm	1202 AB
FINISH	Antique Brass
MATERIAL	Brass

*Note:*

*Item 1202 AB is made from pressed Brass*

# DROP HANDLES

*Style in Your Hands*

## ROSELLA



HEIGHT	CODE
66mm	3223 AB
FINISH	Antique Brass
MATERIAL	Brass

## VALDESE



HEIGHT	OVERALL	CODE
50mm	25mm	5125 AB
65mm	32mm	5126 AB
	FINISH	Antique Brass
	MATERIAL	Brass

## CLANSMAN



OVERALL	CODE
40mm	4931 BL
FINISH	Black
MATERIAL	Steel

## FARNELL



OVERALL	CODE
38mm	2203 BL
FINISH	Black
MATERIAL	Zinc Alloy

# CHEST HANDLES

*Style in Your Hands*

## SWANSON



OVERALL	CODE
155mm	2001 BL
FINISH	Black
MATERIAL	Steel

## MANUKA



OVERALL	CODE
95mm	4901 BL
FINISH	Black
MATERIAL	Steel

## NEWTON



OVERALL	CODE
100mm	2102 BL
FINISH	Black
MATERIAL	Steel

## BELGIUM



OVERALL	CODE
90mm	1999 BL
FINISH	Black
MATERIAL	Steel

# BAIL HANDLES

*Style in Your Hands*

## COSTELLO



HEIGHT	OVERALL	HOLE CENTRE	CODE
45mm	108mm	76mm	1270 AB
52mm	127mm	96mm	1260 AB
		FINISH	Antique Brass
		MATERIAL	Zinc Alloy

## CORBETT



HEIGHT	OVERALL	HOLE CENTRE	CODE
42mm	80mm	64mm	1978 AB
50mm	102mm	76mm	1977 AB
		FINISH	Antique Brass
		MATERIAL	Zinc Alloy

## JENKIN



OVERALL	CODE
82mm	2007 BL
FINISH	Black
MATERIAL	Steel

# INDEX

Style in Your Hands

## BY CODE

## BY NAME

CODE	PAGE	CODE	PAGE	CODE	PAGE	CODE	PAGE	CODE	PAGE	CODE	PAGE	CODE	PAGE
1018 AL	31	1200 AB	49	2538 PW	46	4005 BI	37	6022 BL	47	ABBEY	45	LILBURN	23
1021 BN	8	1202 AB	49	2539 AB	46	4006 BI	37	6023 BL	47	ADDISON	18	LISBON	41
1022 BN	8	1206 BN	10	2540 SC	46	4008 BL	37	6030 AB	47	AKAROA	49	LOCARNO	19
1023 BN	8	1207 SC	10	3000 GL	44	4009 BL	37	6031 AB	47	ALBURY	44	LOREO	32
1024 BN	8	1260 AB	52	3007 SC	45	4010 CR	41	6032 AB	47	ALDOME	48	LUCCA	28
1025 BL	8	1270 AB	52	3028 PC	16	4011 CR	43	6033 AB	47	ALTHAM	48	MANDER	39
1026 BL	8	1275 BN	35	3029 PC	16	4012 CR	43	6160 BA	5	ALTONA	45	MANLEY	45
1027 BL	8	1276 BN	35	3048 SC	16	4013 CR	43	6161 BA	5	AMBERLY	23	MANOR	8
1028 BL	8	1277 BN	35	3049 SC	16	4014 CR	43	6162 BA	5	ANCONA	20	MANUKA	51
1052 BN	14	1278 BN	35	3050 SC	15	4015 CR	41	6163 BA	5	ANSON	15	MARCELLA	7
1053 BN	14	1280 ZP	35	3051 SC	15	4020 BB	39	6164 BA	5	AREZZO	29	MATHIS	48
1054 BN	14	1281 BN	35	3055 SN	16	4021 BB	39	6165 BA	5	ARNWICK	22	MILIAS	39
1055 BN	14	1282 BN	35	3072 SC	25	4022 BB	39	6166 BA	5	ASHBURN	38	MONDAVIO	29
1056 BL	14	1473 CO	36	3075 SC	17	4023 BB	39	6167 BA	5	AVONBROOK	24	MONTRASE	47
1057 BL	14	1550 BN	2	3076 SC	17	4041 BB	39	6168 BA	5	AZARA	46	MUNICH	13
1058 BL	14	1551 BN	2	3082 BN	17	4042 BB	39	6216 BN	4	BARDIA	26	MUNROS	48
1059 BL	14	1552 BN	2	3090 BN	10	4043 BB	39	6217 BN	4	BASSETT	45	NEWTON	51
1060 BN	20	1553 BN	2	3091 BN	10	4050 CR	41	6218 BN	4	BECROFT	45	OREGON	19
1061 BN	20	1554 BN	2	3093 BN	10	4051 CR	43	6220 PC	4	BELGIUM	51	ORSHA	28
1062 BL	20	1555 BN	2	3109 SC	45	4052 CR	43	6221 PC	4	BELGRAVE	25	PALERMO	33
1063 BL	20	1556 BN	2	3110 SC	45	4053 CR	43	6222 PC	4	BELMONT	23	PANAMA	2
1070 BL	27	1640 BN	20	3111 SN	45	4054 CR	43	6223 PC	4	BOLLARD	47	PESCARA	8
1071 BL	27	1641 BN	20	3129 PC	44	4055 CR	41	6224 PC	4	BROVILLE	34	PORTABELLO	46
1072 BL	27	1642 BN	20	3132 SC	17	4146 BN	3	6225 PC	4	BURLINGTON	37	PORTAGE	5
1073 BL	27	1643 BN	20	3135 BN	15	4147 BN	3	6226 PC	4	BURNETT	25	POWDER COATED	36
1074 BL	27	1644 BN	20	3149 SN	25	4148 BN	3	6227 PC	4	CATANIA	33	HANDLE	
1075 BL	27	1645 BL	20	3150 BN	25	4149 BN	3	6230 BN	4	CHALE	39	QUEBEC	13
1076 BL	27	1646 BL	20	3150 SC	25	4150 BN	3	6231 BN	4	CHARLTON	48	RESCO	11
1077 BL	27	1647 BL	20	3163 SC	4	4151 BN	3	6232 BN	4	CHATHAM	45	REWA	47
1078 BL	27	1648 BL	20	3164 SC	4	4152 BN	3	6233 BN	4	CHESTER	48	RIVA	11
1079 BL	27	1649 BL	20	3165 SC	18	4160 AB	24	6234 BN	4	CLANSMAN	50	ROMULUS	44
1080 SC	28	1854 SC	21	3188 BL	23	4225 BI	38	6235 BN	4	COBHAM	17	ROSELLA	50
1081 SC	28	1907 PW	19	3189 SN	23	4226 BL	38	6236 BN	4	COPSEY	18	ROSSANO	44
1083 BN	27	1920 PC	22	3190 SC	18	4230 BI	38	6237 BN	4	CORBETT	52	RUTLAND	44
1084 BN	27	1921 SC	22	3223 AB	50	4231 BL	38	6238 BN	4	COSTELLO	52	SAXON	15
1085 BN	27	1922 AB	22	3320 SC	45	4240 BI	38	6242 BN	47	COULSTON	48	SENTO	28
1086 BN	27	1923 BL	22	3404 SC	45	4241 BL	38	6243 BN	47	COWAN	48	SINCLAIR	4
1087 BN	27	1925 PW	22	3435 PC	6	4322 BI	46	6248 BB	29	CUTLER	49	SLIMBOW	16
1088 BN	27	1977 AB	52	3437 PC	6	4323 BI	46	6250 BB	6	DAVITA	41	SPENCER	24
1089 BN	27	1978 AB	52	3438 PC	6	4325 AB	46	6251 BB	44	DELAMORE	21	STANSTEAD	3
1090 BN	27	1999 BL	51	3439 PC	6	4326 AB	46	6260 BB	26	DELWOOD	3	SWANSON	51
1091 BN	27	2001 BL	51	3443 SC	6	4327 AB	46	6261 BB	26	DEVON	47	THORNTON	26
1092 BN	27	2007 BL	52	3444 SC	6	4328 AB	46	6262 BB	26	DRUMMOND	26	TINLEY	49
1093 BN	27	2102 BL	3	3445 SC	6	4341 AB	47	6263 BB	26	DRURY	24	TIRANE	27
1107 CO	36	2155 SC	3	3446 SC	6	4342 AB	47	6264 BB	26	DUBLIN	32	TITAN	34
1122 AL	31	2156 SC	3	3447 SC	13	4343 AB	47	6265 BB	26	DUNLOP	44	TORINO	12
1135 CO	36	2157 SC	3	3448 SC	13	4344 AB	47	6266 PC	9	DUNSTALL	6	TORY	14
1137 AL	36	2165 BN	3	3449 SC	45	4638 SC	28	6267 PC	9	EMBLETON	41	TREVISO	30
1143 CO	36	2166 BN	3	3450 SC	13	4639 SC	28	6268 PC	9	ENSOR	43	TWIST	18
1143 CO	36	2167 BN	3	3454 SC	7	4800 BL	48	6269 PC	9	ERBA	44	VALDESE	50
1145 CO	36	2168 BN	3	3455 SC	7	4802 BL	48	6270 PC	9	ESK	48	VENICE	30
1149 CO	36	2169 BN	3	3456 SC	7	4806 BL	48	6271 PC	9	EVANDA	7	VERCELLI	35
1155 AL	32	2170 BN	3	3457 SC	7	4813 BB	49	6272 PC	9	EZI-TREVISO	31	CENTRE	
1156 AL	31	2171 BN	3	3458 SC	7	4814 BB	49	6273 PC	9	EZI-VENICE	31	VERCELLI	35
1161 AL	33	2201 BL	49	3463 BN	7	4815 BL	48	6275 PC	2	FARNELL	50	EXTERNAL	
1163 CO	36	2203 BL	50	3464 BN	7	4816 BL	48	6276 PC	2	FATHOM	15	CORNER	
1164 SN	15	2301 AB	11	3465 BN	7	4817 BL	48	6277 PC	2	FEARON	43	VERCELLI	35
1165 AL	5	2410 BN	11	3466 BN	7	4825 BL	48	6278 PC	2	FRANKLIN	19	FIXING	
1166 AL	5	2411 BN	11	3467 BN	7	4830 BL	48	6279 PC	2	GADSBY	10	BRACKET	
1167 AL	5	2412 BN	11	3468 BN	7	4833 AB	48	6280 BN	2	GLENDA	9	VERCELLI	35
1168 AL	5	2413 BN	11	3471 BN	6	4834 AB	48	6281 BN	2	GRENADA	47	INTERNAL	
1169 AL	5	2414 BN	11	3472 BN	6	4835 AB	48	6282 BN	2	GREVILLE	45	CORNER	
1170 AL	32	2415 BN	47	3473 BN	6	4860 AB	48	6283 BN	2	GROVE	39	VERCELLI TOP	35
1173 AL	30	2522 AB	47	3474 BN	6	4901 BL	51	6284 BN	2	GUDGEON	4	VERMONT	39
1174 AL	30	2523 BL	47	3475 BN	6	4931 BL	50	6286 BN	4	HELVETIA	25	VICTORIA	38
1175 AL	34	2524 SC	47	3476 BN	6	5125 AB	50	6287 BN	4	HOLLAND	3	VISTA	17
1176 AL	34	2525 PW	47	3490 SC	45	5126 AB	50	6288 BN	4	IRIS	39	WALDEN	26
1178 AL	34	2526 PC	46	3497 SC	44	5600 BI	23	6289 BN	4	JAEMONT	26	WANSTEAD	28
1179 AL	34	2527 PC	46	3513 BN	7	5601 BI	22	6305 BA	3	JELLCOE	23	WHITFORD	6
1181 AL	24	2528 PC	46	3514 BN	7	5601 SC	22	6306 BA	3	JENKIN	52		
1183 BN	10	2529 PC	46	3515 BN	7	5602 PB	22	6307 BA	3	JUTLAND	24		
1184 SC	10	2531 AB	46	3516 BN	7	5604 AB	23	6308 BA	3	KARAKA	2		
1185 AL	33	2532 SC	46	3570 BN	13	5605 AB	23	6316 BN	24	KENNEDY	10		
1187 CO	36	2533 PW	46	3571 BN	13	5606 BL	22	6318 BN	24	KINSDALE	17		
1188 AL	8	2534 PW	46	3572 BN	13	5610 BL	23	8223 BN	44	LAMBERG	39		
1190 AL	8	2525 AB	46	3573 BN	13	5702 AB	19	8230 SC	44	LANGTON	32		
1191 AL	8	2536 SC	46	3841 SC	18	5703 PW	19	8231 SC	44	LAXON	34		
1193 AL	8			3876 SC	17	6020 BL	47			LECTRO	5		
1198 SC	24			3844 SC	19	6021 BL	47						



Functional & Timeless

2012/13



SINKS



Heritage Tapware gives you a masterpiece of elegance and functionality that'll add distinctive style to your new kitchen.

TAPS



Style in your Hands

2012/13



HANDLES

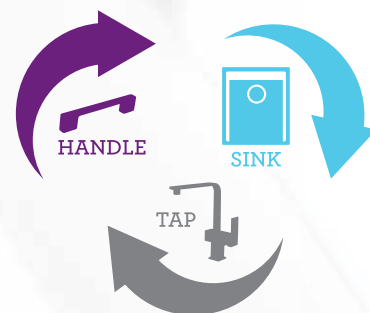


## HERITAGE HARDWARE

Affordable European designer sinks, cabinet handles and innovative hardware that meets the demands of any space.

View the full range of Heritage products at

[www.heritagehardware.co.nz](http://www.heritagehardware.co.nz)



*Note:*

*No part of this catalogue can be reproduced without the consent of Heritage Hardware.*

*Products and specifications are subject to change without notice.*

*All handles are supplied with the necessary fixing screws.*

[www.heritagehardware.co.nz](http://www.heritagehardware.co.nz) **freephone 0508 HERITAGE**